

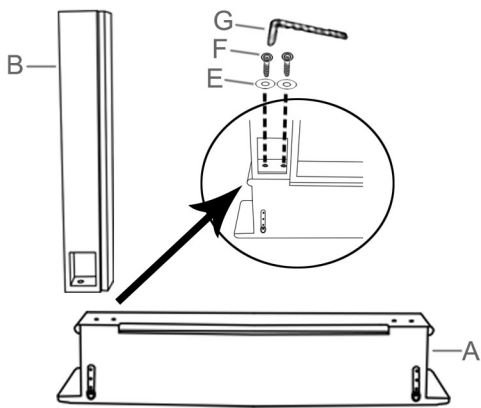
LOBERON

COMING HOME

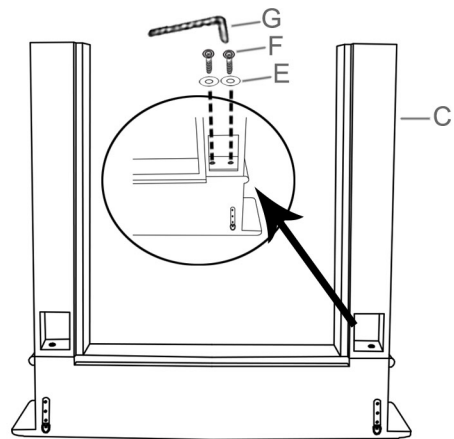


Ax1	Bx1	Cx1	Dx1	Ex4 $\phi 8$	Fx4 $\phi 8 \times 35 \text{mm}$	Gx1 $\phi 8$	Hx17 $\phi 3.5 \times 20 \text{mm}$
-----	-----	-----	-----	-----------------	-------------------------------------	-----------------	--

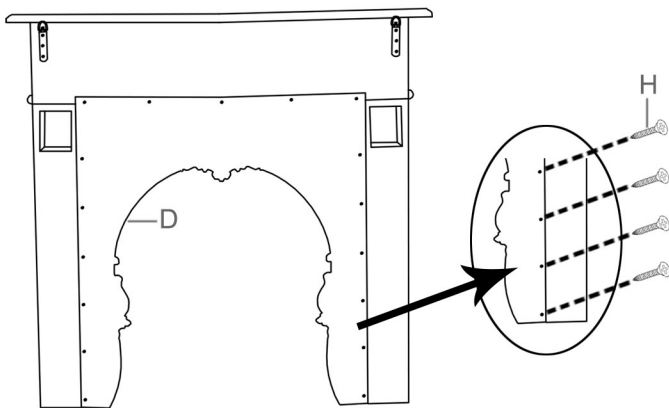
1



2



3



4

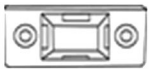


LOBERON

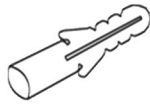
COMING HOME



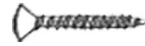
Ax2



Bx4



Cx4

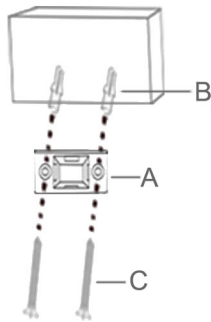


$\phi 3.5 \times 40 \text{mm}$

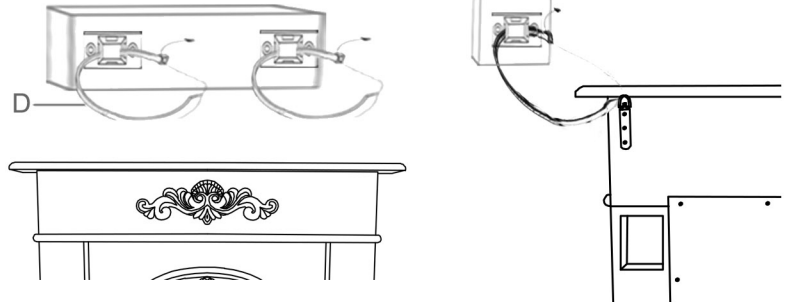
Dx2



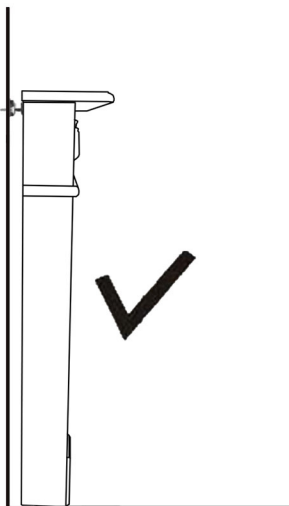
1



2



3



4

